

Date: 10 September 2020

Dear Sales Team,

Hope this email finds you well. We would like to purchase the products listed below, kindly send us your quotation along with related data sheets mentioning brand, country of origin and delivery period.

**ITEM:**

HOSE ASSEMBLY, METALLIC, DN150, LENGTH=2.5MT, WITH SWIVEL FLG 150#RF+ELBOW 90°

**QTY:**

5 PCS

**SPECIFICATION :**

HOSE, TYPE FLEXIBLE, SIZE 6 INCHES, CONNECTION FLANGED

MATERIAL AISI 316 L

MANUFACTURER ERRE DI SRL

PART NUMBER TFIDR150316

DRAWING NUMBER VRP-TEC6

SS316 CORRUGATED FLEXIBLE HOSE DN150 (6") LENGTH: 2500MM, HYDRAULIC FORMING, WITH EXTERNAL BRAID SS304.

AT BOTH THE ENDS:

SWIVEL FLANGE 6" ANSI 150#RF AISI 316 + ELBO 90 DEG. 6", RADIUS: 252MM, ELBO

EXTERNAL DIA: 168MM, 3MM THK.

DESIGN TEMPERATURE : 87 DEG. C

DESIGN PRESSURE : 12.3 KG/CM2

SERVICE : FIRE WATER

REFER TO ATTACHED GA DRAWING IN LINKED DOCUMENTS.

**INSPECTION / CERTIFICATE REQUIREMENT:**

-----  
VENDOR TO PROVIDE THE PRESSURE TEST & MATERIAL TEST CERTIFICATES AS PER EN 10204 - 3.1 / DIN 50049 - 3.1 / ISO 10474 - 3.1 WITH HEAT NUMBER TRACEABILITY FOR THE HOSE DURING MATERIAL HAND OVER.

Looking forward to your prompt response.

Thank you & Regards

Numan Rashid

**Sales Executive**

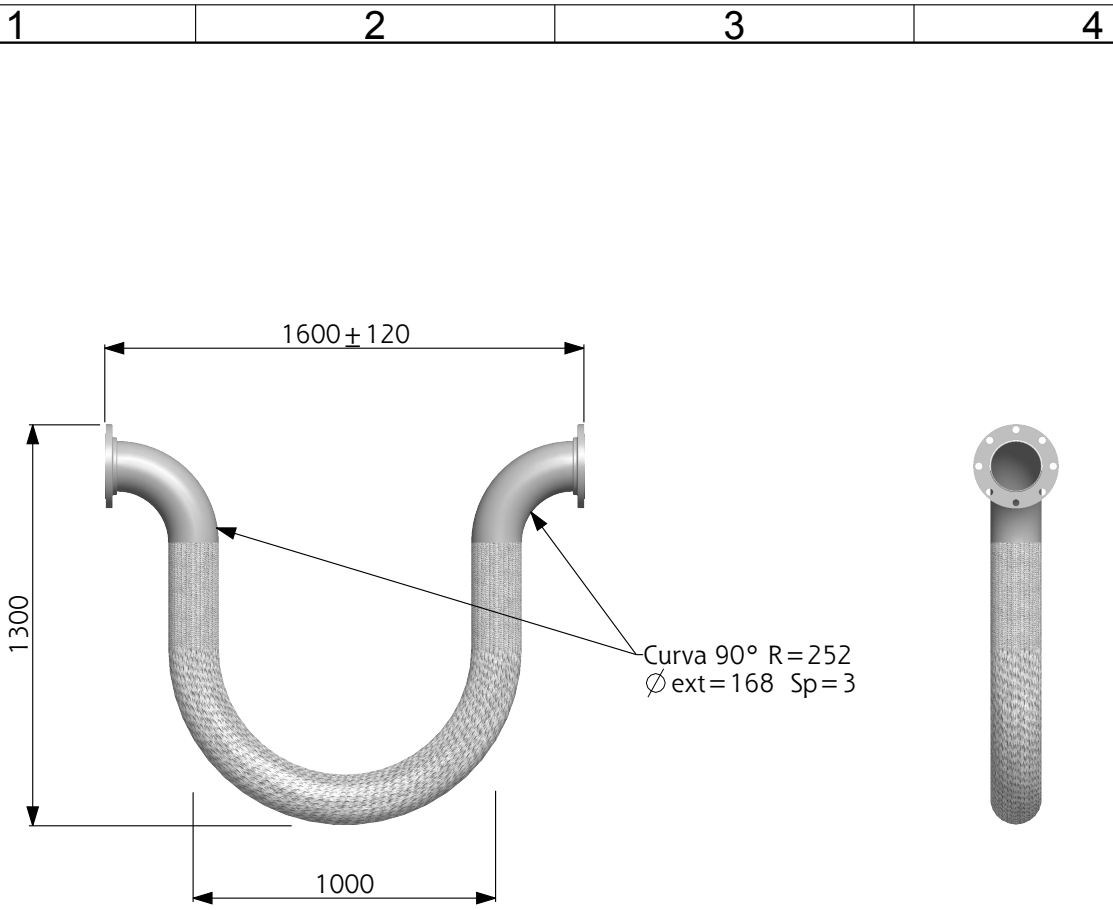
Best Pick General Trading LLC

**T** 971 2 409 3040 | **F** 971 2 409 3041 | **M** 971 56 208 5797

[procurement@bestpick.ae](mailto:procurement@bestpick.ae) | [www.bestpick.ae](http://www.bestpick.ae)

P.O.Box 28686, Abu Dhabi, UAE | Etihad Towers, Abu Dhabi | Level 36, Tower 3, Etihad Towers | Corniche West Street.

**Warehouse Address** | Store # C1 – 08, Plot # 29 | Blue Lake Properties | Opposite AL Dhafra Workers Village | ICAD III Mussafah, Abu Dhabi, UAE | **T** 971 2 441 1516



A

B

C

D

REV.	DATA REVISIONE	DESCRIZIONE MODIFICA	FIRMA
-	-	-	-

<b>ERRE.DI.</b>	<b>Flexible Hose 6" with Flanged connector</b>
-----------------	--

DISEGNATO <b>Maggi</b>	MATERIALE <b>AISI 316</b>	DUREZZA/RESISTENZA	FORNITORE:	
CONTROLLATO	TRATTAMENTO TERMICO -	TOLLERANZA GENERALE dove non spec. usare tolleranze UNI EN20286	FASE/PARTICOLARE	N°PEZZI --
DATA <b>14-05-2013</b>	TRATTAMENTO SUPERFICIALE -	SCALA <b>1:25</b>	CODICE DISEGNO <b>VRP-TEC6</b>	REV. <b>A</b>