

Date: 07 September 2020

Dear Sir,

Please quote your best price and delivery period for supply of the following items as follows:
Your quotation should reach us not later than 09/09/2020

Item No.	Description	Qty
1	Gate Valve, Size: 1", Class: 800#, Full Bore, Female NPT both end, Bolted Bonnet, Stem: 316/316L, Body/Bonnet: A-105, Origin: Italy / USA	25 NOS

Technical Requirements / Drawing on [page 2](#) of this document
Awaiting to receive your valued offer at the earliest.

Kindly furnish the following details

- Name of the manufacturer
- Country of origin
- Delivery period
- Validity

Note:

- Catalogue / data sheet to be provided
- Any deviation must be highlighted and relevant documents to that effect must be supplied

Thanks and Regards

Arthur Gonsalves
General Manager

Mazoun Technical Oilfield Services Co. L.L.C

P.O. Box -72510

Abu Dhabi, United Arab Emirates

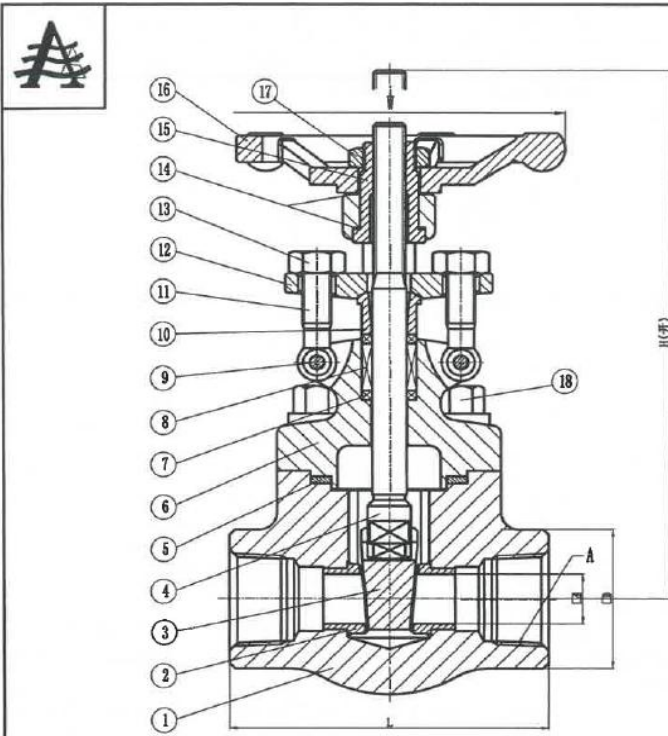
Tel: 00971 2 626 22 37

Fax: 00971 2 626 22 39

E-mail: mazoun@emirates.net.ae

TECHNICAL REQUIREMENTS / DRAWING

2/2



SIZE in	L	H	d	D	W	A
						ANSI60°
1/2"	79	153	10	34	100	1/2"
3/4"	92	158	13	40	100	3/4"
1"	111	194	18	49	125	1"
1 1/4"	120	226	24	58	160	1 1/4"
1 1/2"	120	248	29	64	160	1 1/2"
2"	140	296	37	78	180	2"

Technical Requirements

1. Design & manufacturer conform to API602
2. Socket welded dimension conform to ANSI B16.11
3. Screw ends dimension conform to ASME/ANSI B1.20.1
4. Materials conform to AISI/ASTM
5. Test & inspection conform to API598

18	Bolt	A193-B7
17	Locking Nut	A194-2H
16	Handwheel	A197
15	Stem Nut	A276-410
14	Gasket	A276-410
13	Hex Nut	A194-2H
12	Gland Flange	A105
11	Gland Eyebolt	A193-B7
10	Gland	A276-420
9	Pin	A276-410
8	Packing	Graphite
7	Packing	Graphite + SS
6	Bonnet	A105
5	Gasket	304+graphite
4	Stem	A276-410
3	Wedge	A276-420
2	Seat	A276-420
1	Body	A105
NO.	Part Name	Material

Gate Valve	800LB
AMS VALVES	